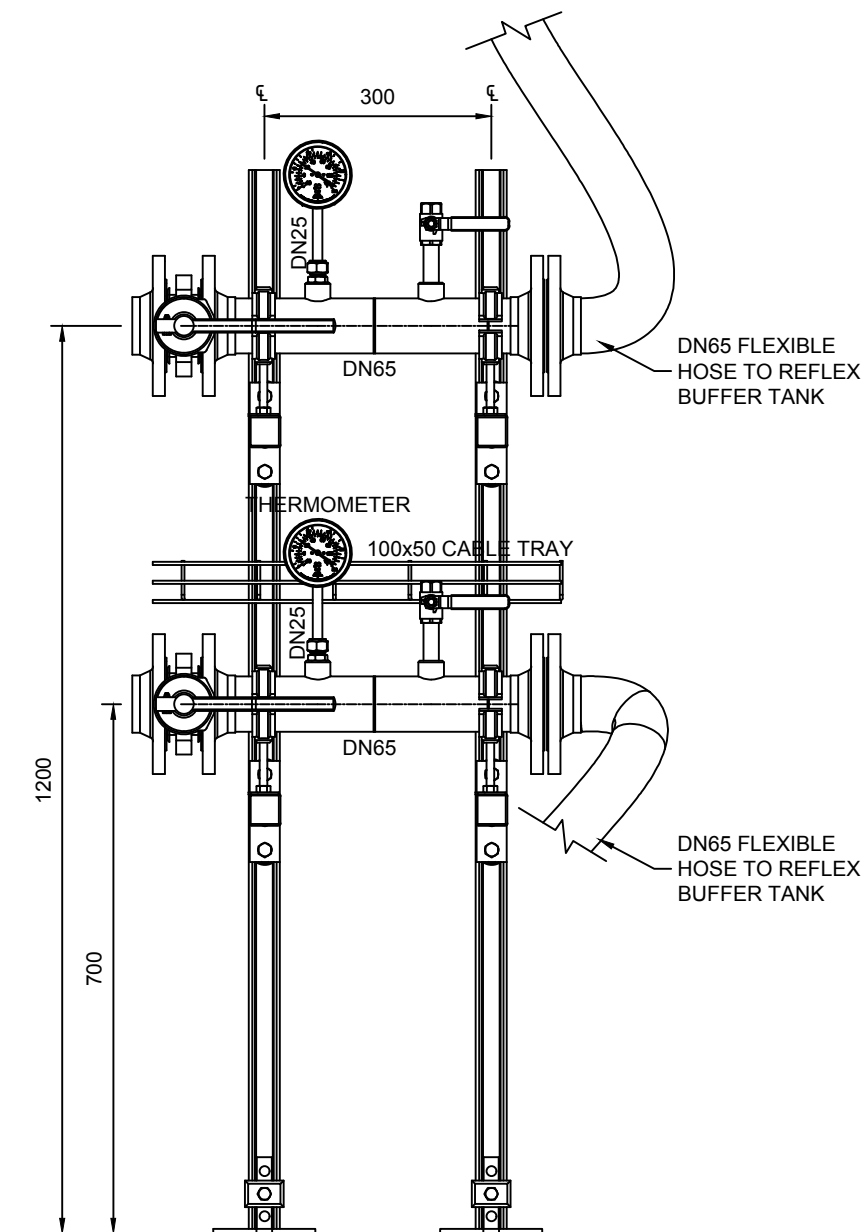
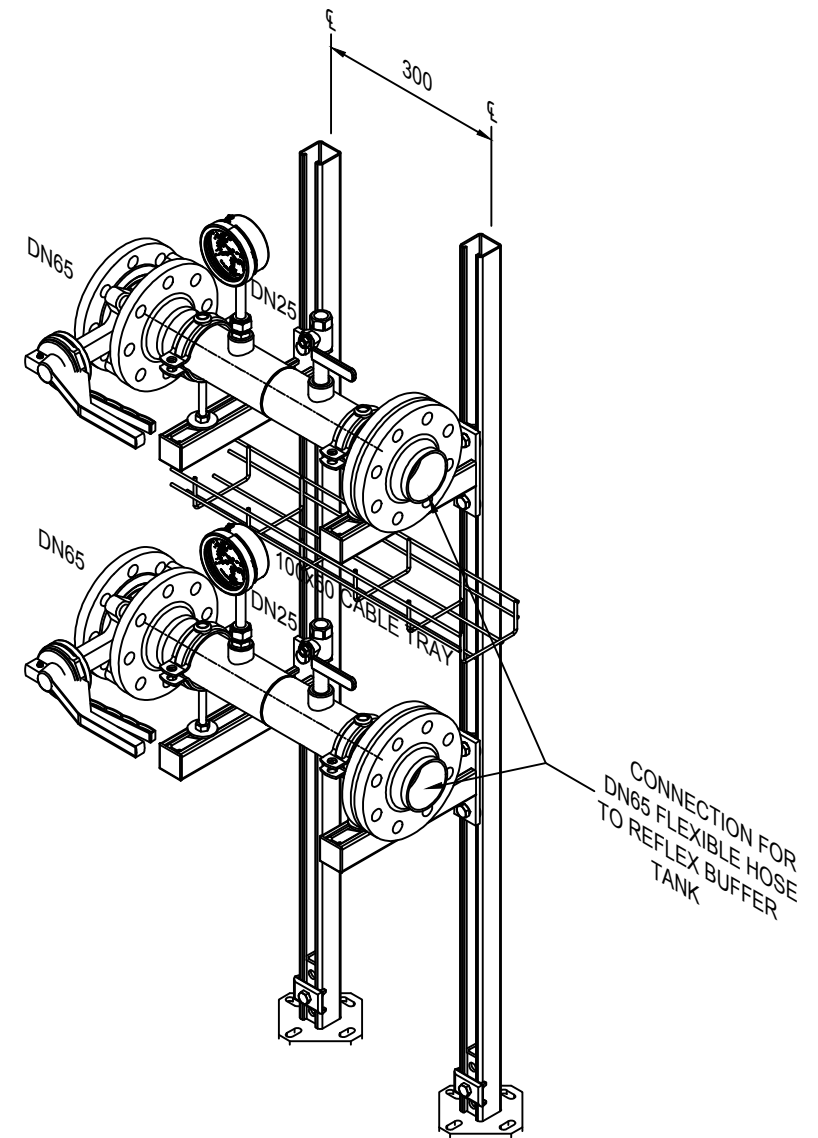


PLAN



ELEVATION



NOTE: ALL DIMENSIONS ARE IN MM UNLESS OTHERWISE STATED.



DRAWN:  
ALIHASAN  
CHECKED:  
DATE:  
09-11-2018

MODULE - 2  
SKID GENERAL ARRANGEMENT

REV	DATE	DESCRIPTION

DRAWING NO.  
DWG-001  
SCALE  
1:10