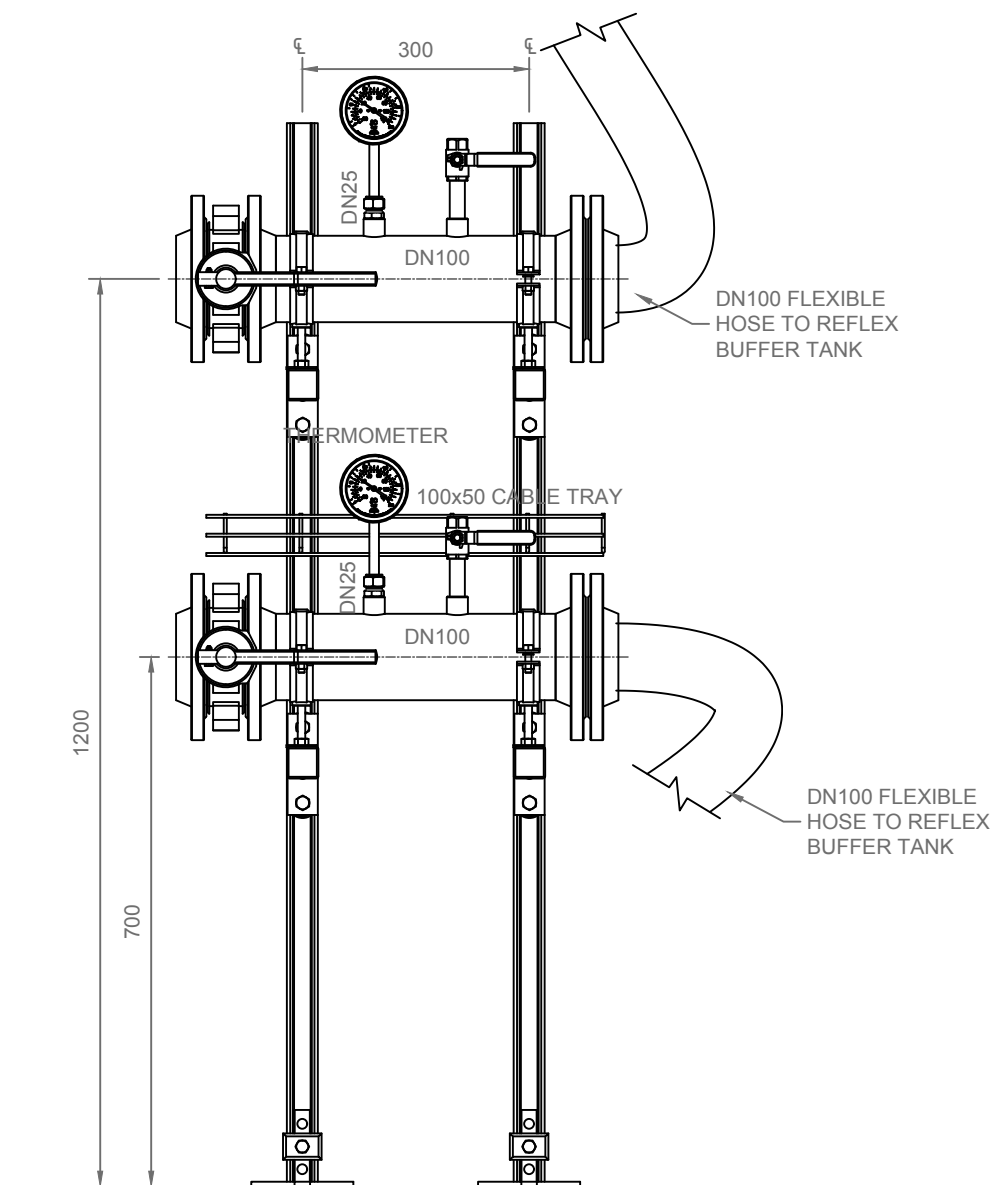
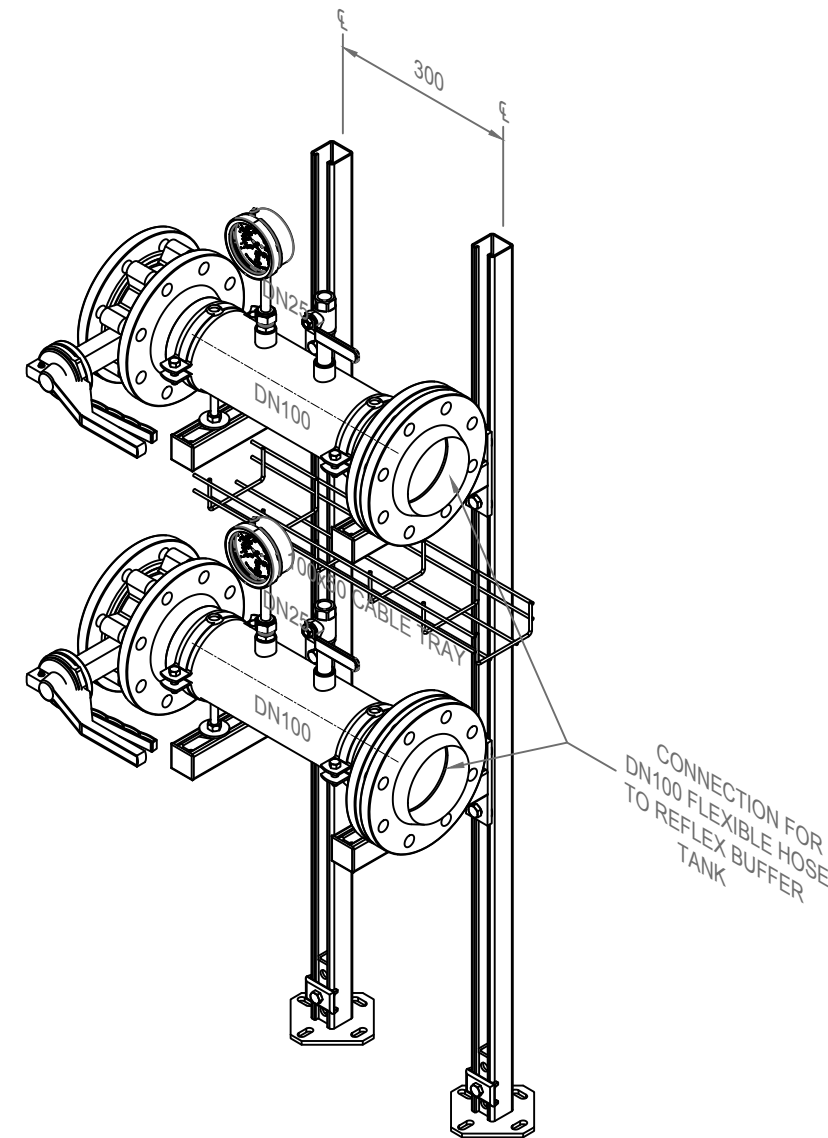


PLAN



ELEVATION



NOTE: ALL DIMENSIONS ARE IN MM UNLESS OTHERWISE STATED.