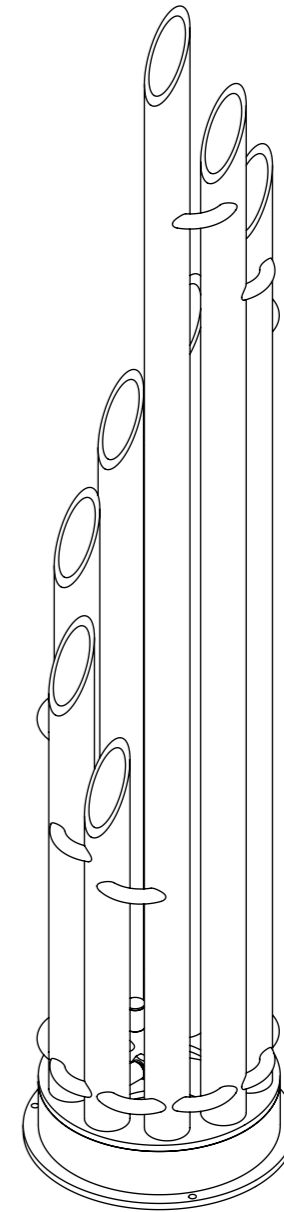
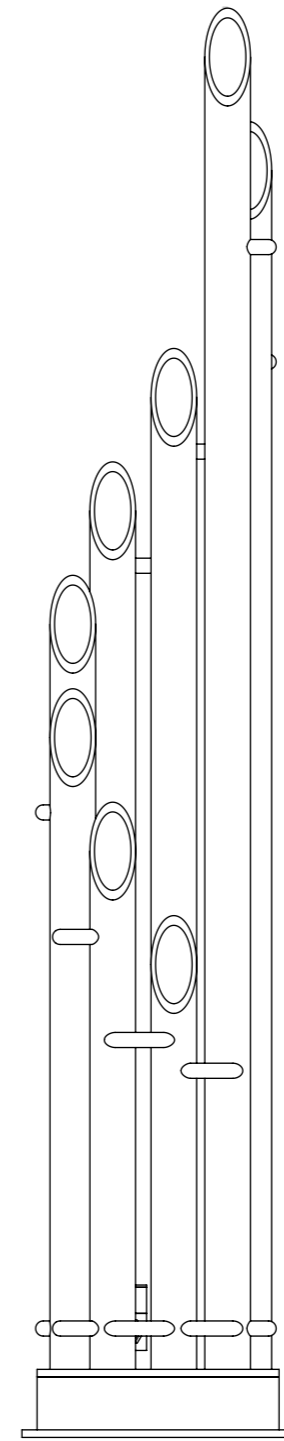
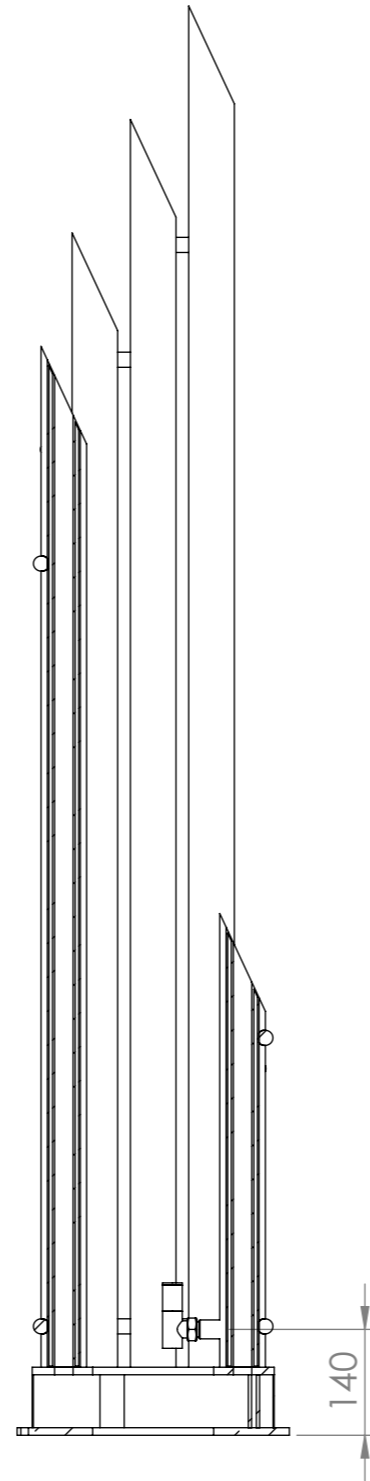
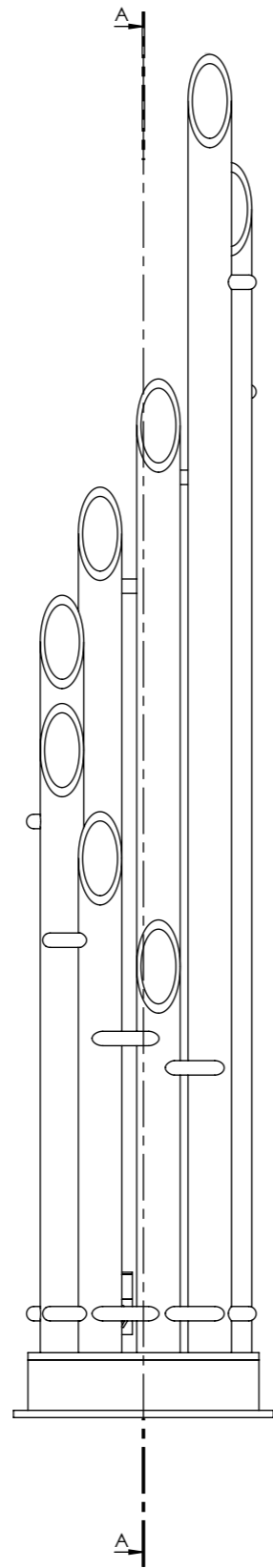
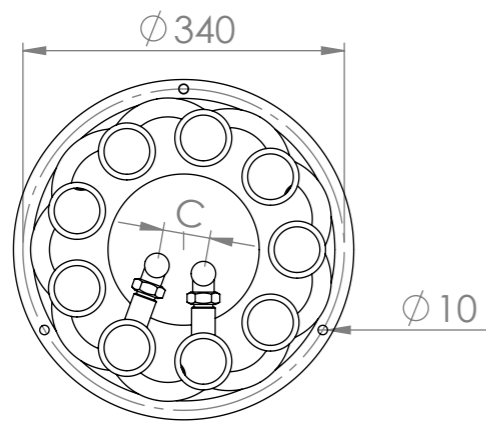
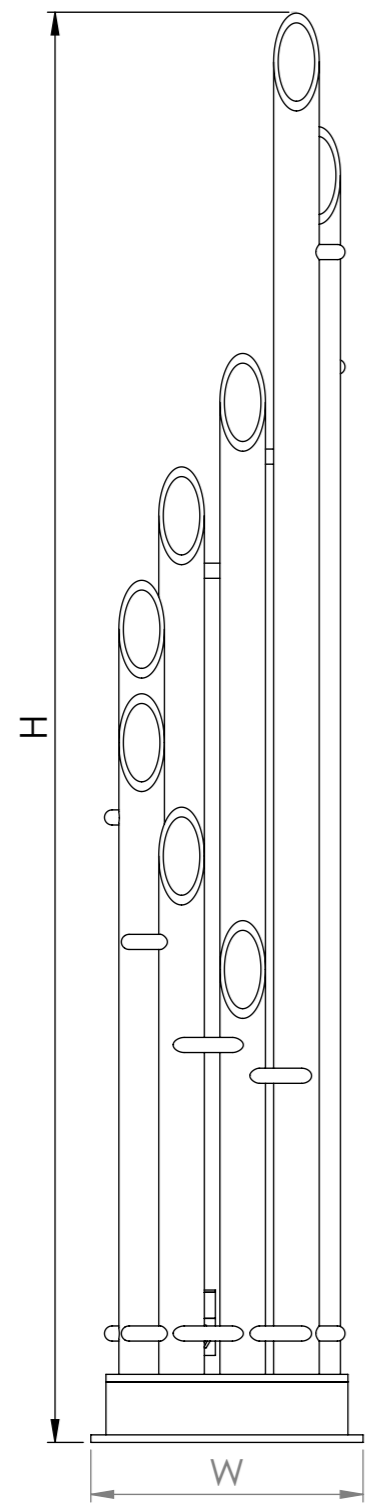


The contents of this document are property of **Termosant®** and could not be copied, reproduced or disclosed to a third party without written consent of the proprietor.

**UNIQUE**



Product Code	Width	Height	Depth	Connection Centers	Tube Quantity	Assembly Axis		Weight	Water Capacity
	W	H	D	C		S	L	kg.	lt.
UNQ036019000909	360	1900	360	50	9	340	295	50,5	8,2