

# ENVIRON

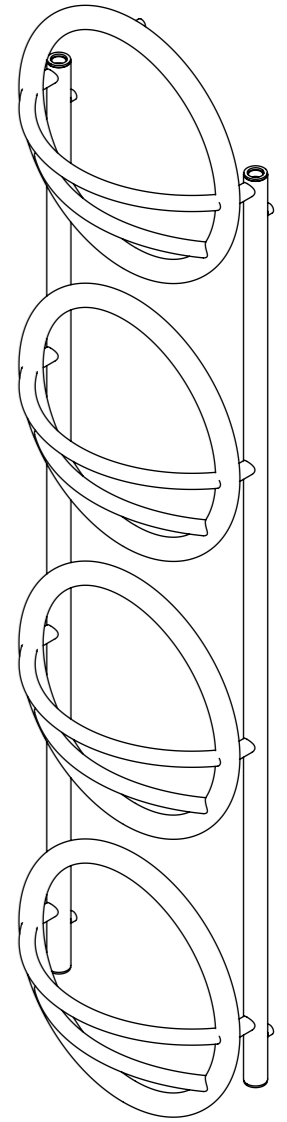
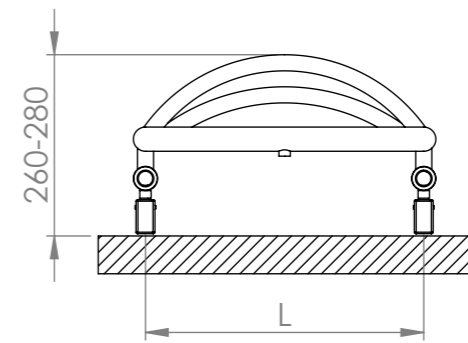
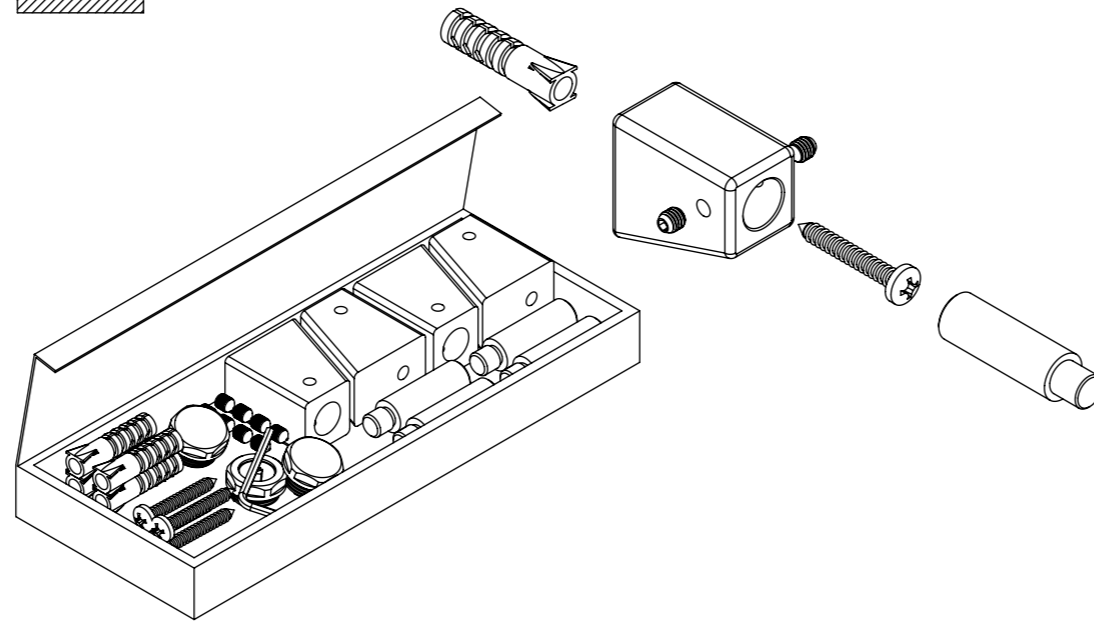
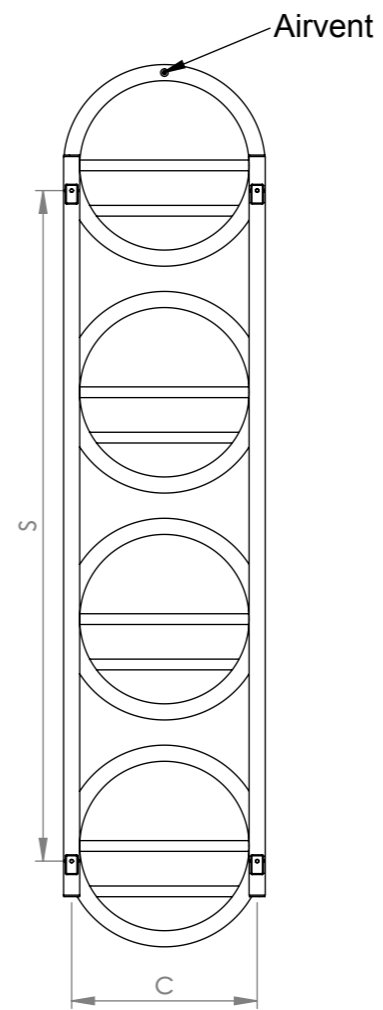
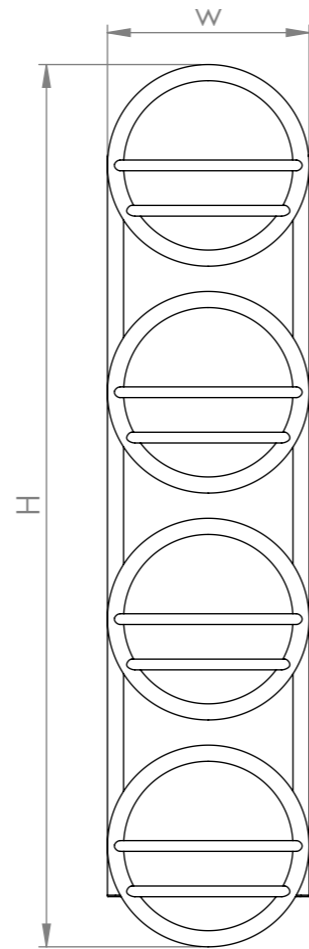
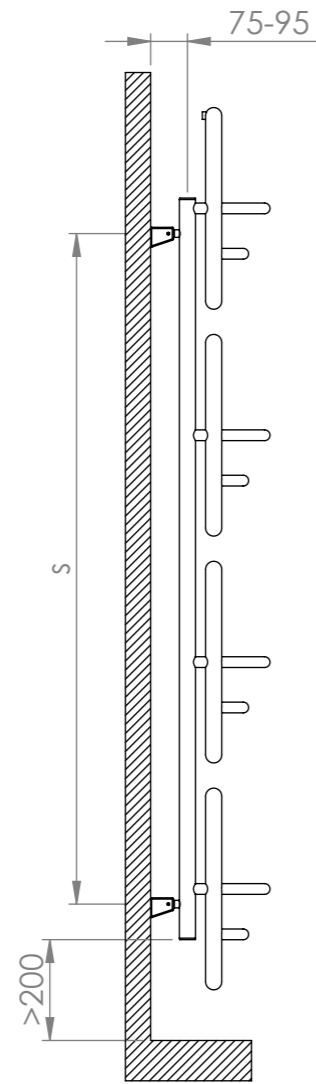
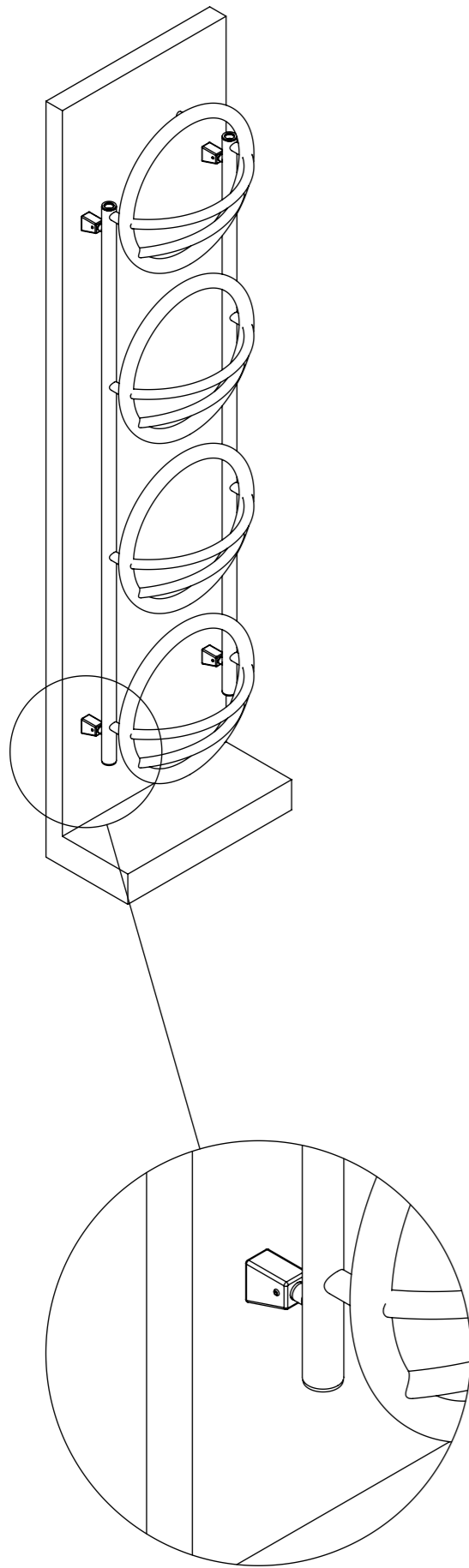


**carisa**  
design radiator

The contents of this document are property of Termosan® and should not be copied, reproduced or disclosed to a third party without written consent of the proprietor.

www.carisa.com.tr

www.termosan.com  
info@termosan.com



Product Code	Width	Height	Depth	Connection Centers	Tube Quantity	Assembly Axis		Weight	Water Capacity
	W	H	D	C		S	L	kg.	lt.
ENV040008500209	400	850	160	368	2	430	368	5,3	3
ENV040013000309	400	1300	160	368	3	880	368	8,2	4,6
ENV040017500409	400	1750	160	368	4	1330	368	11,2	6,1